



Note! This page is intended as a schematic description of the cable connection between different units, modems and networks.

For more detailed information on the products, please refer to the next page and the respective manuals.

Obs! Denna sida är avsedd att ge en schematisk beskrivning av kabelförbindelsen mellan olika enheter, modem och nätverk.

För mer detaljerad information om produkterna, hänvisar vi till omstående sida och respektive manualer.

Connectivity Kits / Anslutningssatser *Note:* Kits containing an emission damper (see next page) shall have this clamped around the cable.

TAC Xenta: Programming Serial Kit, part no. 0-073-0920		
<i>Applicable units</i>	<i>Usage (example)</i>	<i>Contents</i>
TAC Xenta 300/401/901 port RS232, cable 'L1' to PC	TAC Menta / TAC Vista direct connection for application/configuration and download.	Adapter 'A1' Cables 'L1', 'L3' (see next page)
TAC Xenta 511/911 port RS232 B, cable 'L3' to PC	Configuration and commissioning, with the PC Hyper Terminal.	

TAC Xenta: PC to Serial Kit, part no. 0-073-0917		
<i>Applicable units</i>	<i>Usage (example)</i>	<i>Contents</i>
TAC Xenta 300/401/901 port RS232	TAC Vista direct connection.	Adapters 'A2', 'A4' Cable 'L1' (see next page)
TAC Xenta (511/) 911 port RS232 A	PC (TAC Menta, TAC Vista, InTA 2000, DM 2000) to TAC Xenta serial communication.	
TAC 2000 to TAC Xenta 911 port RS232 A	InTA 2000 over TCP/IP network. Note! Serial signal amplifier is also required at TAC 2000 unit! (Ex.: RAD, type PSA.)	

TAC Xenta: Serial Link Kit, part no. 0-073-0918		
<i>Applicable units</i>	<i>Usage (example)</i>	<i>Contents</i>
TAC Xenta 300/401/901 port RS232, connected to	TAC Xenta connected to	Cable 'L2' (see next page)
TAC Xenta 911 port RS232 A	TAC Xenta 911 for IP communication.	

TAC Xenta: General Serial Kit, part no. 0-073-0919		
<i>Applicable units (example)</i>	<i>Usage (example)</i>	<i>Contents</i>
ADU-L/KE-2/6505/5702/5708/PLB/ Danfoss GW-M/Danfoss Danduc connected to	TAC other units / Danfoss unit connected to TAC Xenta 911 for IP communication. <i>Note!</i> The modem connection cable for the selected unit is also required.	Adapter 'A2' Cable 'L1' (see next page)
TAC Xenta 911 port RS232 A		

TAC Xenta: Modem Connect Kit, part no. 0-073-0916		
<i>Applicable units</i>	<i>Usage (example)</i>	<i>Contents</i>
TAC Xenta 300/401/901 port RS232	TAC Xenta to external modem communication.	Adapter 'A3' Cable 'L1' (see next page)
TAC Xenta 511 (/ 911) port RS232 A	For PPP connection.	

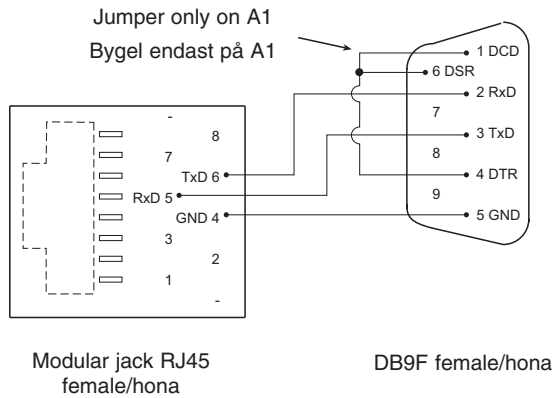
Connection cable TAC Xenta–RS232 (part no. 0-073-0903; to be phased out, replaced by Modem Connect Kit, no. 0-073-0916 and Programming Serial Kit, no. 0-073-0920)		
<i>Applicable units</i>	<i>Usage (example)</i>	<i>Contents</i>
TAC Xenta 300/401/901 port RS232, adapter 'A3' for modem	TAC Xenta to modem communication.	Adapters 'A3', 'A5' Cable 'L1' (see next page)
TAC Xenta 300/401/901 port RS232, adapter 'A5' for PC	TAC Menta / TAC Vista direct connection and application/configuration and download.	

Adapters (description) / Anpassningsenheter (beskrivning)

'A1': TAC Xenta Programming Adapter DCE

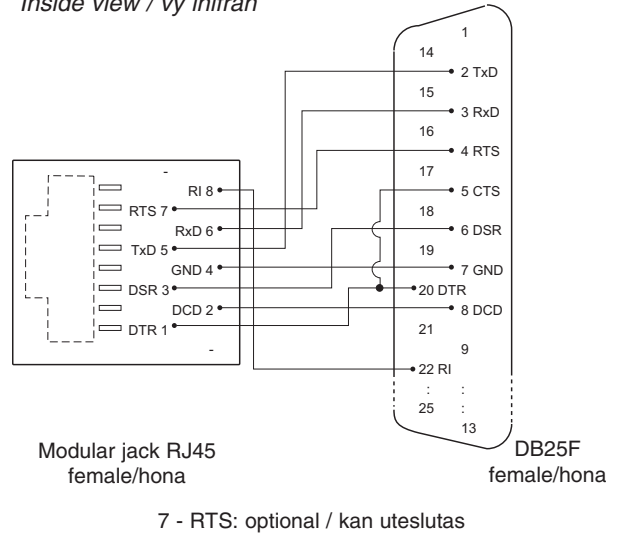
'A5': TAC Xenta Direct connect (part no. 3-621-3050-0; cannot be used for PPP communication!)

Inside view / vy inifrån



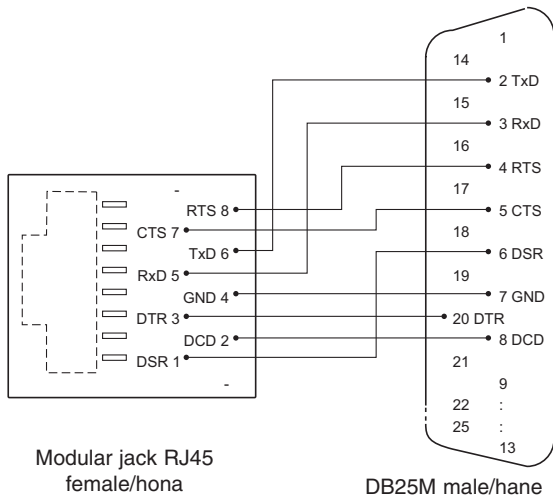
'A2': TAC Xenta Serial Adapter DCE

Inside view / vy inifrån



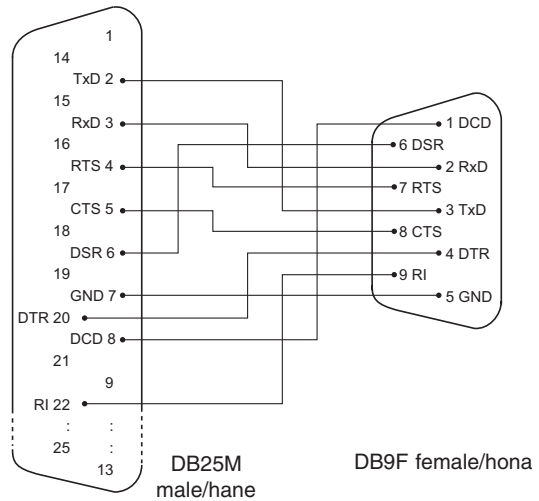
'A3': TAC Xenta Modem Adapter DTE

Inside view / vy inifrån



'A4': DB25M to DB9F Adapter

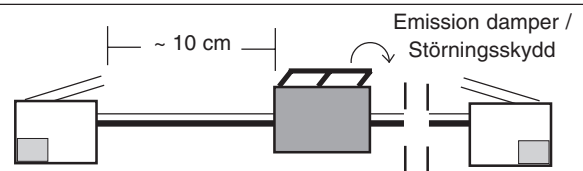
Inside view / vy inifrån



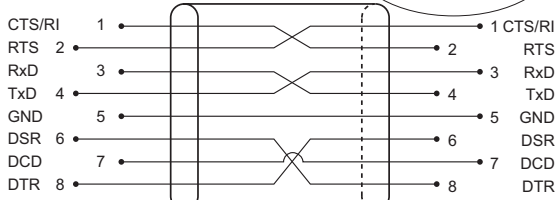
Cables (description) / Kablar (beskrivning)

'L1': RJ45 to RJ45, 8-lead black straight, 2 m (existing Xenta straight)

Modular jack RJ45 female/hona 8 leads, straight Modular jack RJ45 female/hona



'L2': 8-lead gray special, 15 cm (Xenta to Xenta Serial, do NOT use with adapters)



'L3': RJ45 to RJ10, 4-lead black special, 2 m

