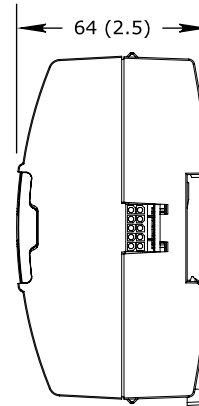
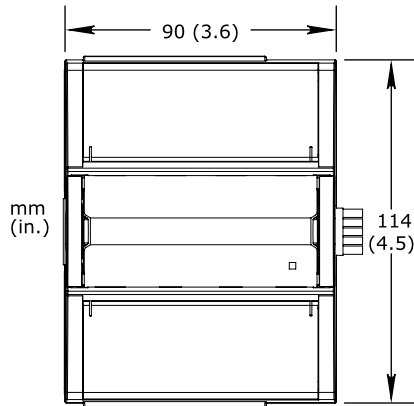


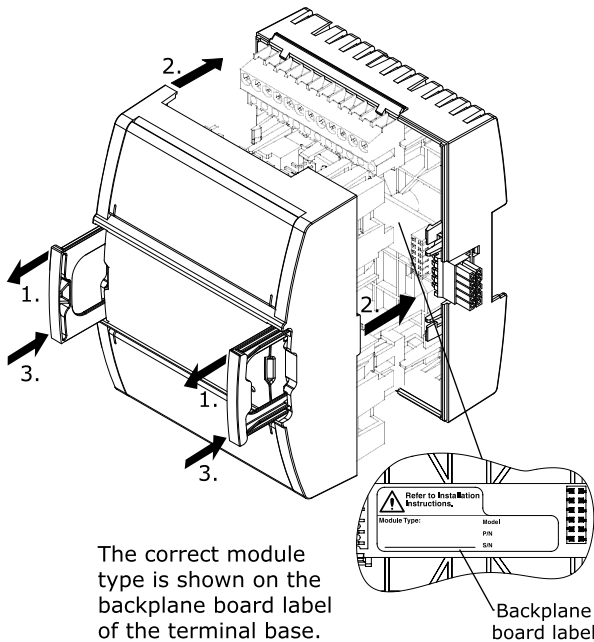
Automation Server Family

W1-Sized I/O Modules

Dimensions



Installing the Module

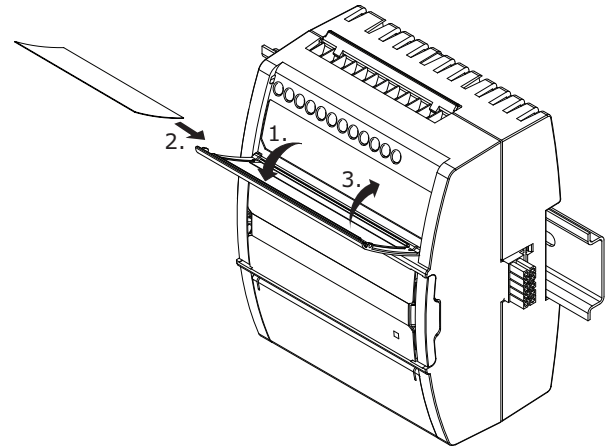


The correct module type is shown on the backplane board label of the terminal base.



Warning: Ensure that the module type and the terminal base type match. A mismatch can cause electric shock and damage the module.

Labeling the Module



Terminal Base for this Device

Device	Part number
TB-IOW1 Term Base I/O W1	SXWTBIOW110001

Specifications

Operation environment

Ambient temperature, operating

0 to 50 °C (32 to 122 °F)

Humidity

Maximum 95 % RH non-condensing

Mechanical

Enclosure rating

IP 20

Plastic rating

UL94-5VB

Electrical

I/O bus power

24 VDC \leq max. 30 W per I/O bus power supply, Class 2

Maximum addresses per I/O bus

32

AO-8 (-H) Module

DC input power

24 VDC \leq , 4.9 W

Output rating

0 to 10 VDC \leq , 0 to 20 mA

Channels

8 output

AO-V-8 (-H) Module

DC input power

24 VDC \leq , 0.7 W

Output rating

0 to 10 VDC \leq

Channels

8 output

DI-16 Module

DC input power

24 VDC \leq , 1.6 W

Input rating

24 V, 2.4 mA

Channels

16 input

UI-16 Module

DC input power

24 VDC \leq , 1.8 W

Input rating

24 V, 2.4 mA

Channels

16 input

UI-8/DO-FC-4 (-H) Module

DC input power

24 VDC \leq , 1.9 W

Relay contact rating

250 VAC \sim /30 VDC \leq , 3 A

Input rating

24 V, 2.4 mA

Channels

4 output/8 input

UI-8/AO-4 (-H) Module

DC input power

24 VDC \leq , 3.2 W

Output rating

0 to 10 VDC \leq , 0 to 20 mA

Input rating

24 V, 2.4 mA

Channels

4 output/8 input

UI-8/AO-V-4 (-H) Module

DC input power

24 VDC \leq , 1.0 W

Output rating

0 to 10 VDC \leq

Input rating

24 V, 2.4 mA

Channels

4 output/8 input

DO-FA-12(-H) Module

DC input power

24 VDC \leq , 1.8 W

Relay contact rating

250 VAC \sim /30 VDC \leq , 2 A

Channels

12 output

DO-FC-8 (-H) Module

DC input power

24 VDC \leq , 2.2 W

Relay contact rating

250 VAC \sim /30 VDC \leq , 3 A

Channels

8 output

Regulatory Notices

FC Federal Communications Commission

FCC Rules and Regulations CFR 47, Part 15, Class B

This device complies with part 15 of the FCC Rules. Operation is subject to the following two conditions: (1) This device may not cause harmful interference. (2) This device must accept any interference received, including interference that may cause undesired operation.

Industry Canada

ICES-003

This is a Class B digital device that meets all requirements of the Canadian Interference Causing Equipment Regulations.



N1831 C-Tick (Australian Communications Authority (ACA))

AS/NZS 3548

This equipment carries the C-Tick label and complies with EMC and radio communications regulations of the Australian Communications Authority (ACA), governing the Australian and New Zealand (AS/NZS) communities.

CE CE - Compliance to European Union (EU)

2004/108/EC Electromagnetic Compatibility Directive

This equipment complies with the rules, of the Official Journal of the European Union, for governing the Self Declaration of the CE Marking for the European Union as specified in the above directive(s) per the provisions of the following standards: IEC/EN 61326-1 Product Standard, IEC/EN 61010-1 Safety Standard.



WEEE - Directive of the European Union (EU)

This equipment and its packaging carry the waste of electrical and electronic equipment (WEEE) label, in compliance with European Union (EU) Directive 2002/96/EC, governing the disposal and recycling of electrical and electronic equipment in the European community.



UL 916 Listed products for the United States and Canada, Open Class Energy Management Equipment.